



Electromagnetic Holding Solenoid Series GTH



Compared to the series GTB these solenoids offer a higher holding force with similar dimensions. This is achieved by a larger dimensioning of the central pole.

The electrical connection is made by free braids. The coil is vacuum potted, the magnet housing is zinced and the holding surface is polished. The mounting is achieved by a central thread at the rear side of the housing.

Application

These solenoid systems are preferably used in machine and tool manufacture, where air gap adjustments are not required. Please observe, that the complete functioning of the device is only guaranteed if the counter plate is placed exactly.

Lateral force loading equates to a displacement force F_v of approximately $1/4 F_H$.

Advantages

- High holding force with low power consumption
- Compact design
- Optimised copper and iron ratio
- Strong holding force with direct mounting of the counter plate

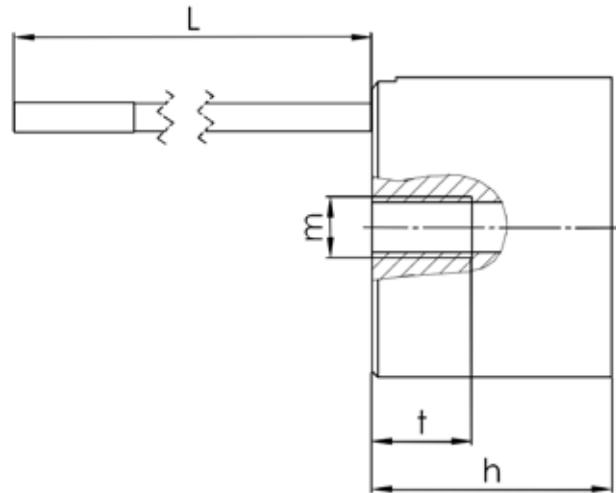
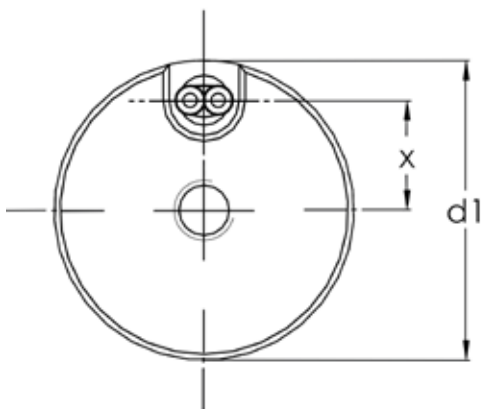
Technical Data

- Standard nominal voltage: 24 V DC
- Duty cycle: 100% ED
- Insulation class: E

Accessories

- Suitable anchor plates on request

Cross Section



Technical Data

Designation	Diameter (d1) x height (h) [mm]	Max. holding force [N]	Nominal power [W]	Thickness counter plate [mm]	Thread (m) x depth (t) [mm]	Clearance (x) [mm]	Cable- / Lead length (L) [mm]	Weight [kg]
GT015H050	15 x 12	45	1.4	1.5	M3x5	5.2	200	0.01
GT020H030	20 x 15	112	2.2	2.5	M3x5	7.5	200	0.03
GT025H060	25 x 20	240	3.2	3.5	M4x6	9	200	0.06
GT030H060	30 x 25	355	4.1	4	M4x6	11	200	0.10
GT040H060	40 x 27	740	5.9	6	M5x8	14.5	200	0.20
GT050H170	50 x 30	1,250	7.5	7.5	M6x9	18	200	0.40
GT060H050	60 x 35	1,730	10.3	8.5	M8x12	22	200	0.70
GT070H130	70 x 35	2,310	12.1	10.5	M10x14	25	200	1.00
GT080H040	80 x 38	3,190	14.9	12	M12x18	29	200	1.40
GT090H050	90 x 42	3,880	17.8	13	M14x21	33	200	1.80
GT100H030	100 x 40	4,890	18.4	14.4	M16x24	36	200	2.20



Special voltage configurations are available on request

+34 977 206937 or binder@binder-es.com